

**42**  
YEARS

**REL**

REVATHI EQUIPMENT LIMITED

**C615H**  
DTH SERIES

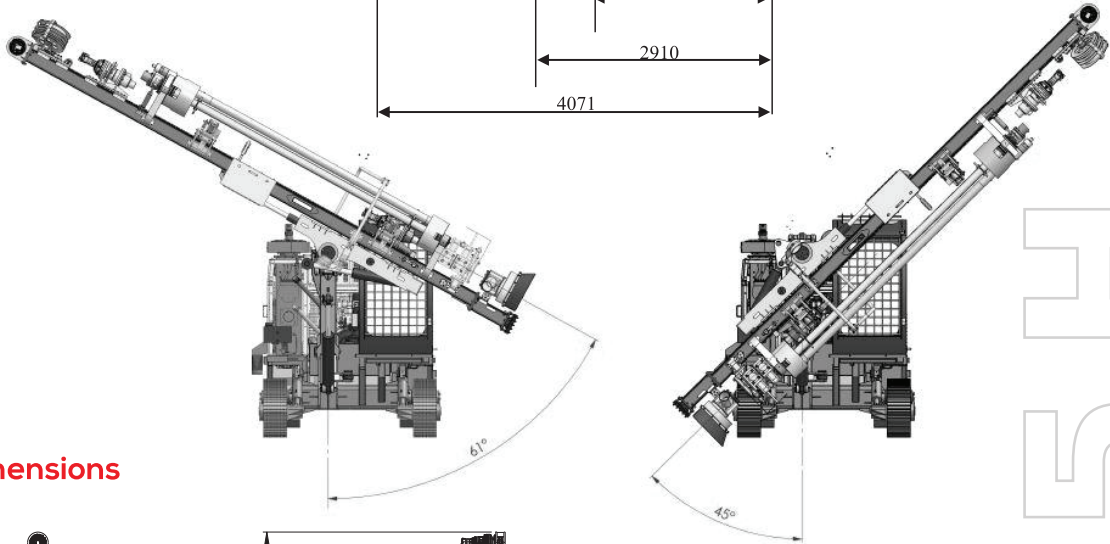
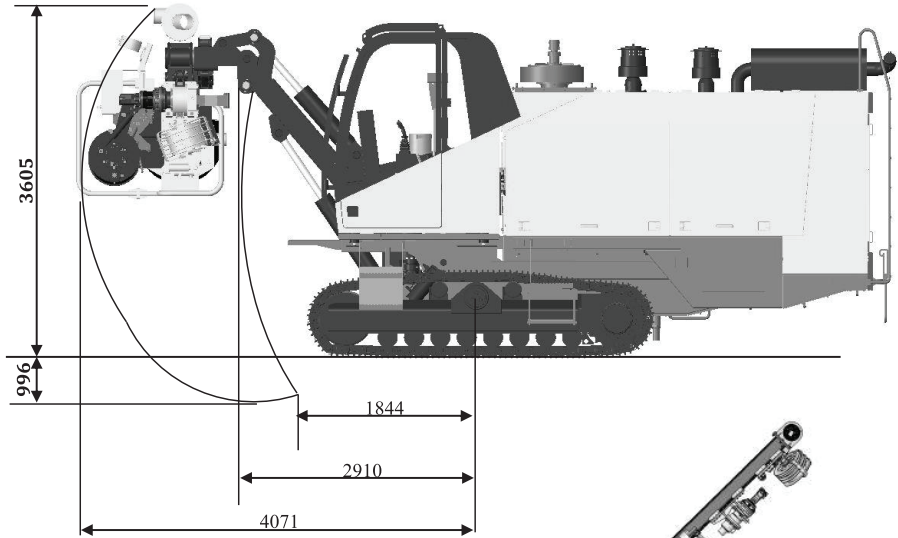
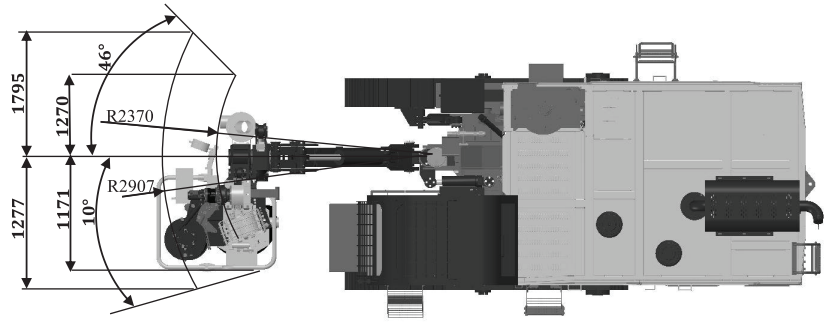


# C615H

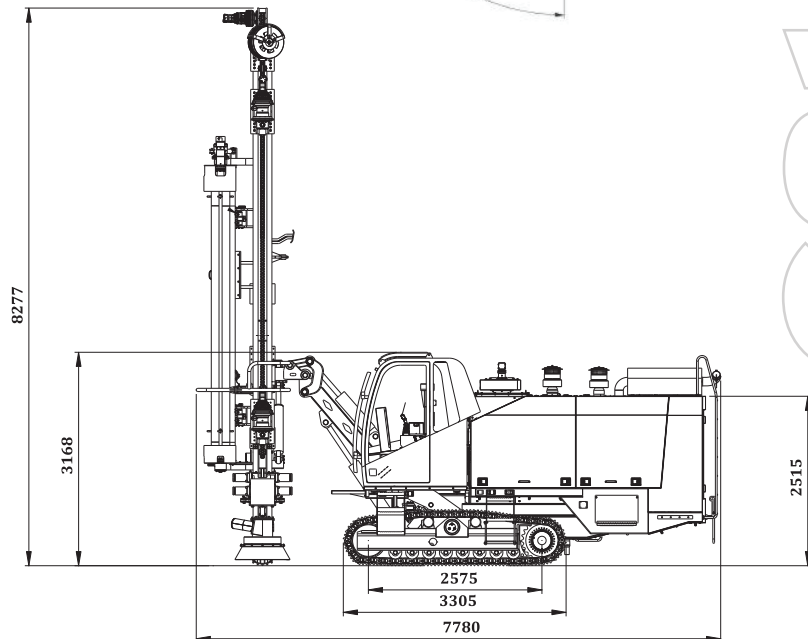
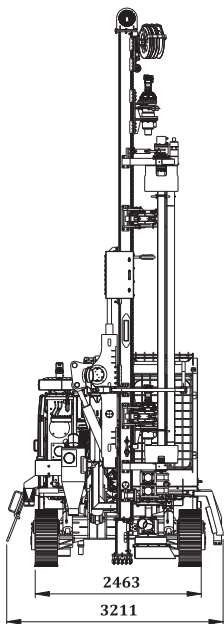


Specification	Unit	C615H
Drilling Diameter	Inch	4 to 6
	mm	102 to 152
Pipe Size	Inch	2-7/8 to 4-1/2
	mm	73 to 114.3
Single Pass Depth		
Mast	feet (Meter)	13 ft 2 inch ( 4 m )
Multi Pass Depth		
Mast 3 POD	feet (Meter)	52 ft 6 inch ( 16 m )
Compressor	CFM-PSI	500 - 200
	CUM-bar	14.17 - 13.8
Pull Down Capacity	lbs	7,720
	Kg	3,500
Pull Up Capacity	lbs	7,720
	Kg	3,500
Feed Rate Rapid	ft/min	77
	m/min	23.5
Rotary Torque	lb.in	31,000
	Kg.m	357
Rotary Speed	RPM	0 - 90
Engine	HP	260
Undercarriage		
Ground Bearing pressure	Mpa	0.1
Speed in slope / Plain	kms/hr	1.1 / 2.7

**HORIZONTAL  
COVERAGE  
AREA**



**Dimensions**



CG15 H

# Always Dependable.

REL drill rigs have earned a reputation for dependability and productivity, Operator safety and Ergonomics. We believe in working closely with our clients to achieve optimum safe and cost-effective performance in drilling. Whatever your requirement may be standard or custom, simple and rugged, or advanced and automated you can depend on REL.

[www.reldrill.com](http://www.reldrill.com)

## **Revathi Equipment Limited**

Pollachi Road, Coimbatore - 641 050. India.

Ph : 0422 66551 00

Fax : 0422 6655199

Mail: [globalsupport@revathi.in](mailto:globalsupport@revathi.in)

[www.revathi.in](http://www.revathi.in)

[www.revathiequipment.com](http://www.revathiequipment.com)