

42
YEARS

REL

REVATHI EQUIPMENT LIMITED

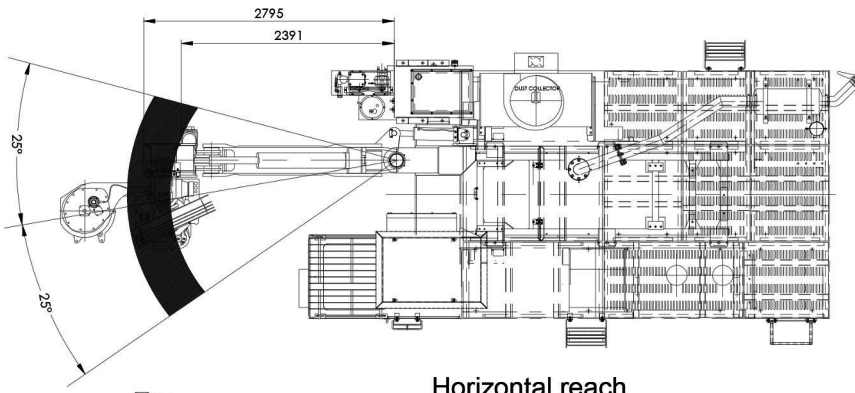
C620H
DTH SERIES



C620 H

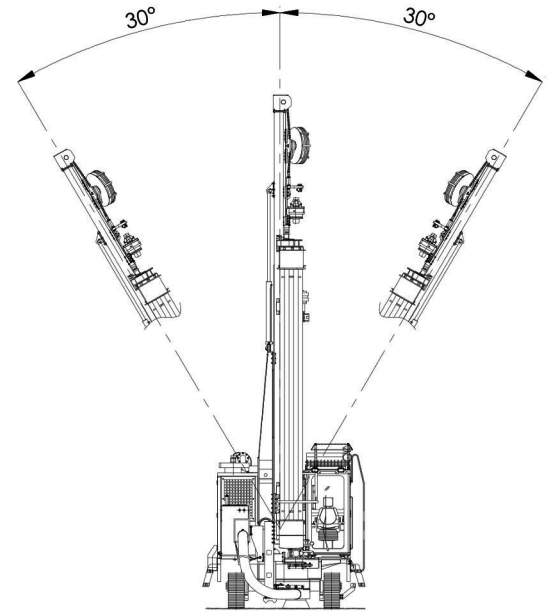
SPECIFICATION	UNIT	C620H	C625H
Drilling Diameter	Inch	4-1/2 to 6	4-1/2 to 8
	mm	114 to 165	114 to 202
Pipe Size	Inch	3-1/2 to 4-1/2	3-1/2 to 5
	mm	88.9 to 114.3	88.9 to 127
Single Pass Depth			
Mast	feet (Meter)	20 (6.096)	
Multi Pass Depth			
Mast 4 POD	feet (Meter)	100 (30)	
Compressor	CFM-PSI	750 - 250	900 - 350
	CUM-bar	21.25 - 17.2	25.5 - 24.1
Pull Down Capacity	lbs	9,000	9,000
	Kg	4,083	4,083
Pull Up Capacity	lbs	11,000	11,000
	Kg	4,990	4,990
Feed Rate Rapid	ft/min	196	196
	m/min	59.8	59.8
Rotary Torque	lb.in	35,400	35,400
	Kg.m	408	408
Rotary Speed	RPM	0 - 70	0 - 70
Engine	HP	415	530
Undercarriage			
Ground Bearing pressure	Mpa	0.1	0.1
Speed in slope / Plain	kms/hr	1.5 / 3.5	1.5 / 3.5



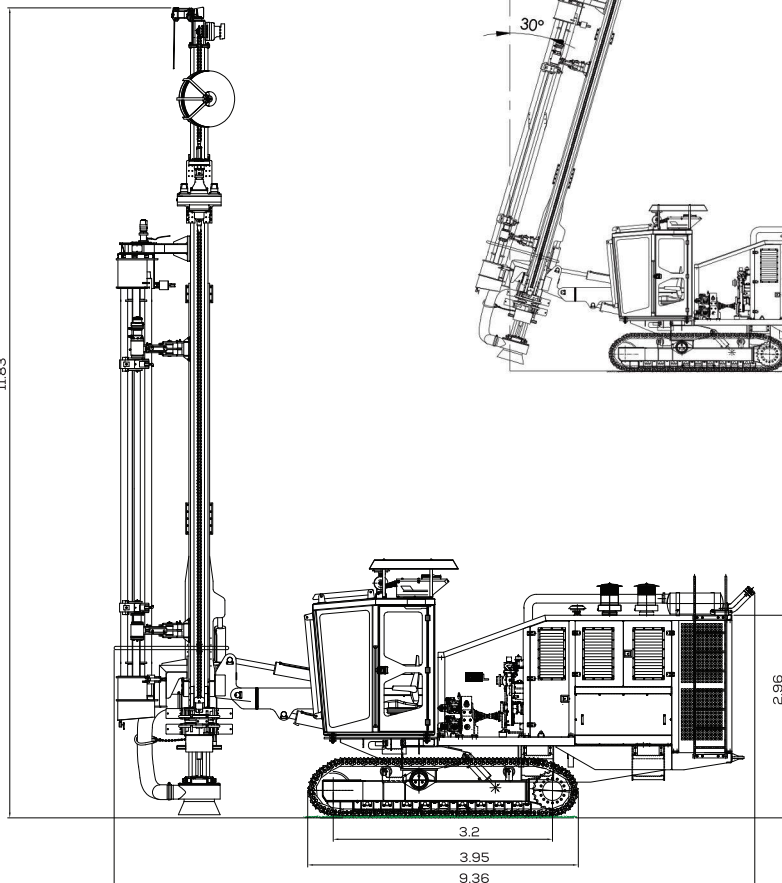
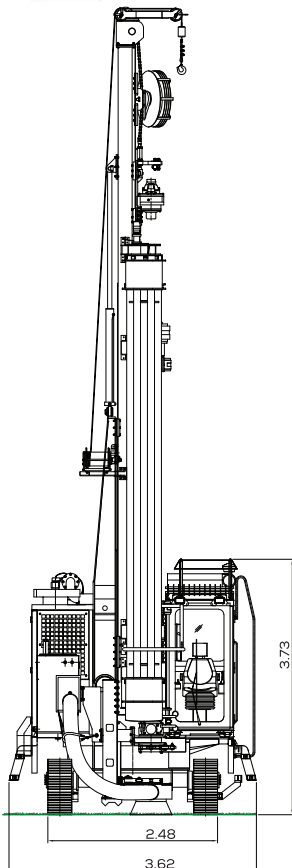
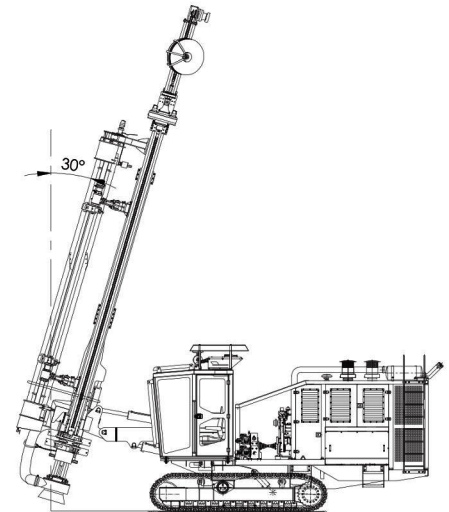
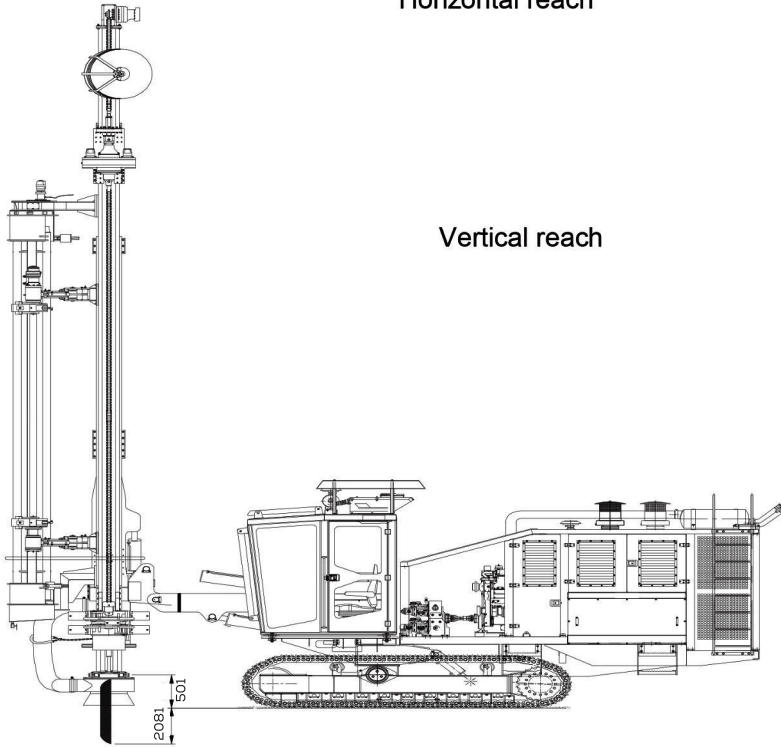


Horizontal reach

Feed Angle



Vertical reach



2.96

3.2

3.95

9.36

Always Dependable.

REL drill rigs have earned a reputation for dependability and productivity, Operator safety and Ergonomics. We believe in working closely with our clients to achieve optimum safe and cost-effective performance in drilling. Whatever your requirement may be standard or custom, simple and rugged, or advanced and automated you can depend on REL.

www.reldrill.com

Revathi Equipment Limited

Pollachi Road, Coimbatore - 641 050. India.

Ph : 0422 66551 00

Fax : 0422 6655199

Mail: globalsupport@revathi.in

www.revathi.in

www.revathiequipment.com