

**42**  
YEARS

**REL**

REVATHI EQUIPMENT LIMITED

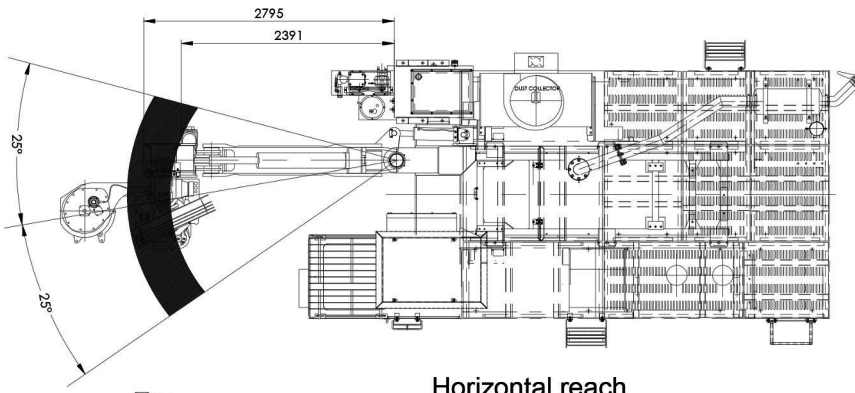
**C625H**  
DTH SERIES



# C625 H

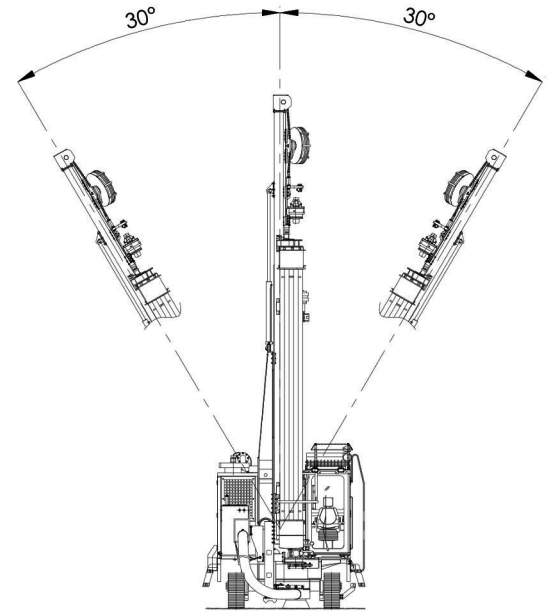
SPECIFICATION	UNIT	C620H	C625H
Drilling Diameter	Inch	4-1/2 to 6	4-1/2 to 8
	mm	114 to 165	114 to 202
Pipe Size	Inch	3-1/2 to 4-1/2	3-1/2 to 5
	mm	88.9 to 114.3	88.9 to 127
<b>Single Pass Depth</b>			
Mast	feet (Meter)	20 ( 6.096 )	
<b>Multi Pass Depth</b>			
Mast 4 POD	feet (Meter)	100 ( 30 )	
Compressor	CFM-PSI	750 - 250	900 - 350
	CUM-bar	21.25 - 17.2	25.5 - 24.1
Pull Down Capacity	lbs	9,000	9,000
	Kg	4,083	4,083
Pull Up Capacity	lbs	11,000	11,000
	Kg	4,990	4,990
Feed Rate Rapid	ft/min	196	196
	m/min	59.8	59.8
Rotary Torque	lb.in	35,400	35,400
	Kg.m	408	408
Rotary Speed	RPM	0 - 70	0 - 70
Engine	HP	415	530
Undercarriage			
Ground Bearing pressure	Mpa	0.1	0.1
Speed in slope / Plain	kms/hr	1.5 / 3.5	1.5 / 3.5



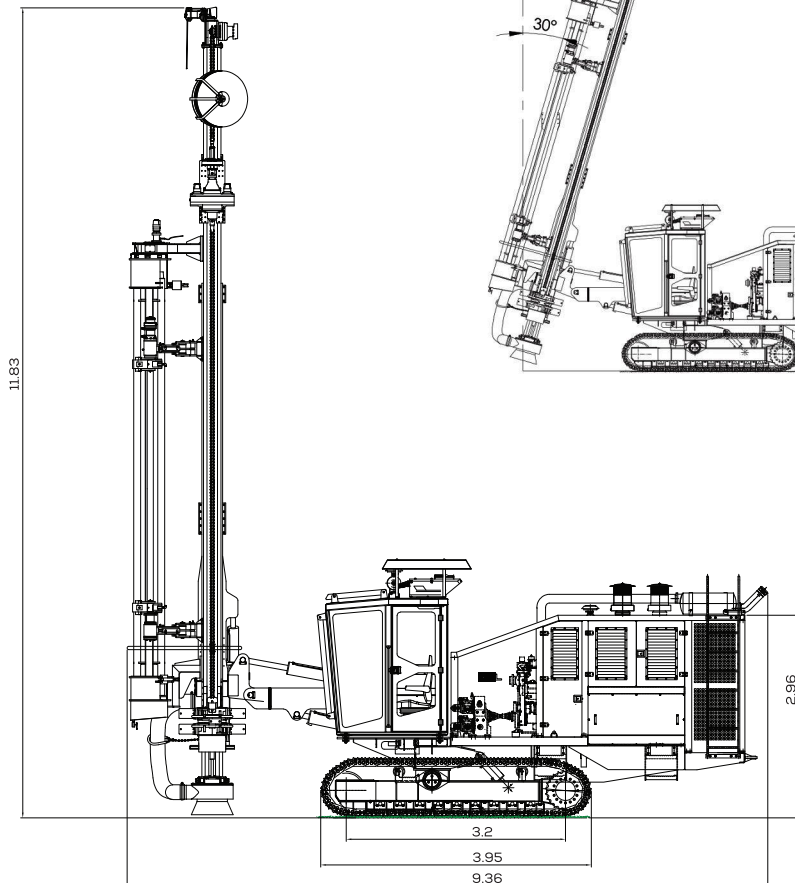
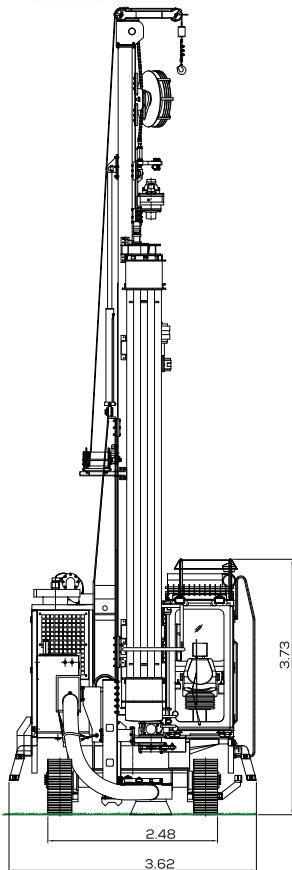
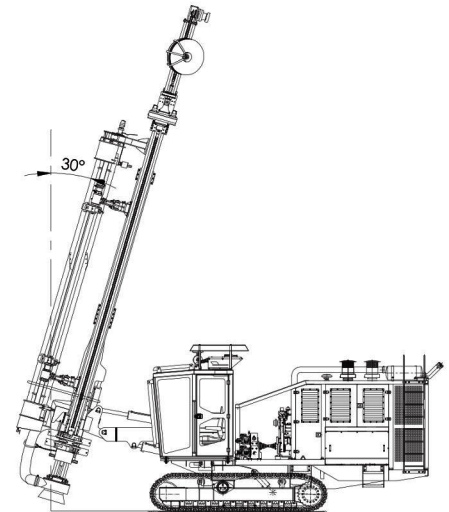
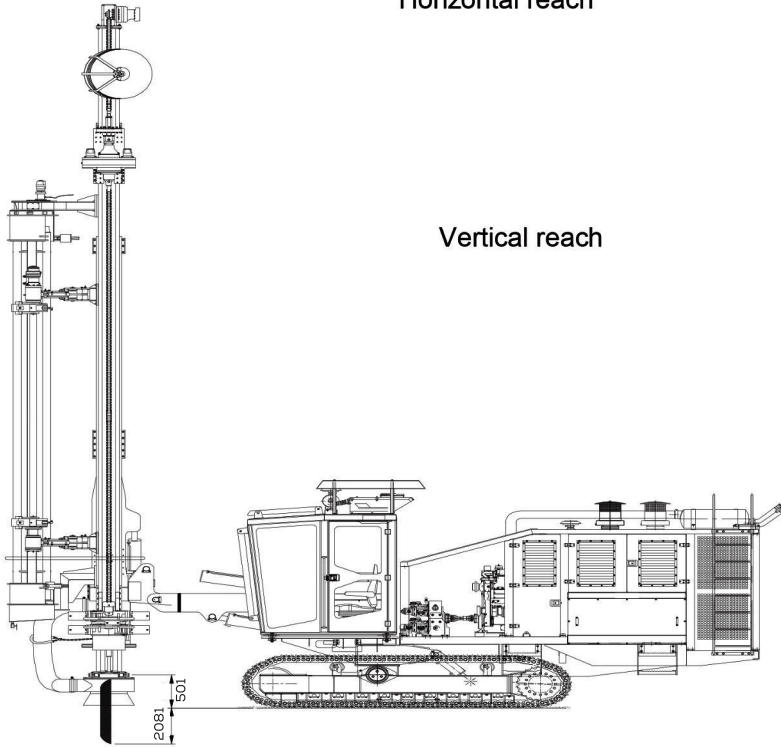


Horizontal reach

Feed Angle



Vertical reach



# Always Dependable.

REL drill rigs have earned a reputation for dependability and productivity, Operator safety and Ergonomics. We believe in working closely with our clients to achieve optimum safe and cost-effective performance in drilling. Whatever your requirement may be standard or custom, simple and rugged, or advanced and automated you can depend on REL.

[www.reldrill.com](http://www.reldrill.com)

## **Revathi Equipment Limited**

Pollachi Road, Coimbatore - 641 050. India.

Ph : 0422 66551 00

Fax : 0422 6655199

Mail: [globalsupport@revathi.in](mailto:globalsupport@revathi.in)

[www.revathi.in](http://www.revathi.in)

[www.revathiequipment.com](http://www.revathiequipment.com)